

Diode Module



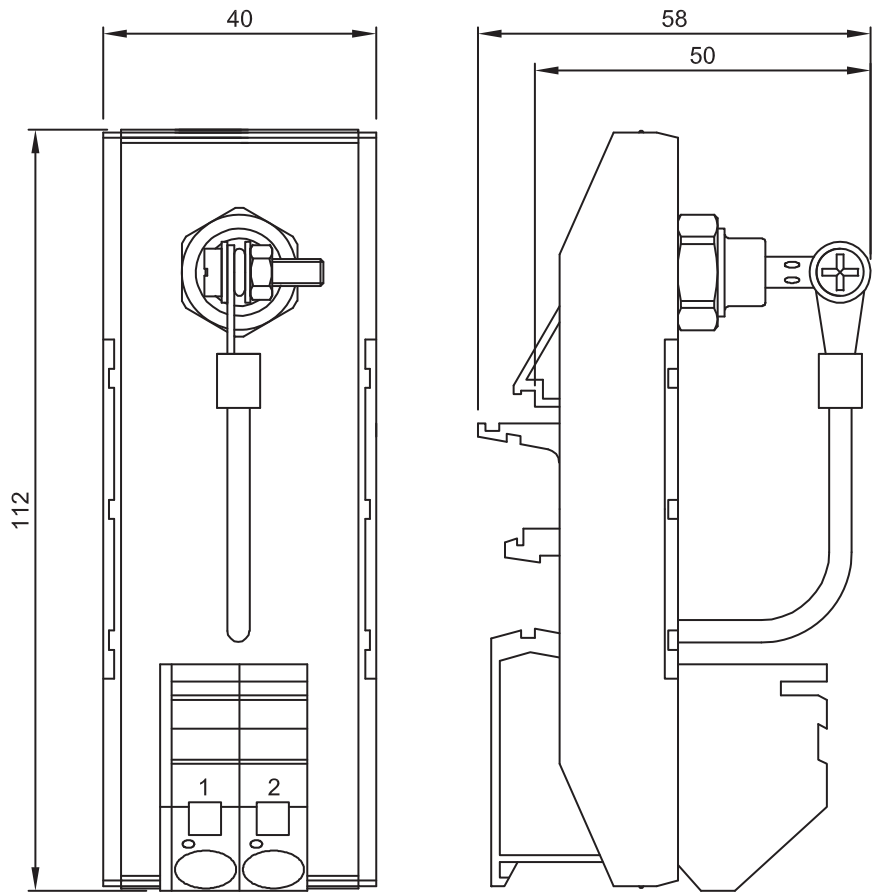
Identification	Type Part-No.	DGE-6237 / FK DC 110V 716237
Product version		
Hardware revision	B	
Datasheet version	02	
Use/Application/Properties		
Description	Diode module equipped with 1 diode VS-95PFR120.	
Technical data		
Rated voltage U_N	DC 110 V	
Rated current (at U_N)	10 A	
Number of diodes	1	
Diode	VS-95PFR120 (95 A / 1200 V)	
Diode blocking voltage	1200 V	
General		
Connection type	Spring terminal: 0.20 – 16 mm ² Stripping length: 12 – 13 mm Screwdriver: 5.5 x 0.8 mm	
Operation temperature range	-40 °C ... +70 °C	
Storage temperature range	-40 °C ... +85 °C	
Dimensions (w x h x d)	40.0 x 112.0 x 58.0 mm	
Weight	0.105 kg/piece	
Standards	EN 50155: Railway applications – Rolling stock – Electronic equipment EN 50124-1: Railway applications – Insulation coordination – Part 1: Basic requirements – Clearances and creepage distances for all electrical and electronic equipment EN 61373: Railway applications – Rolling stock equipment – Shock and vibration tests EN 45545-2: Railway applications – Fire protection on railway vehicles – Part 2: Requirements for fire behaviour of materials and components The standard applicable to this product is dependent on the version available for development. The standards applicable to this product are available on request.	

Diode Module

Failure Rate Prediction (MTBF)

Standards	Electronic components – Reliability – Reference conditions for failure rates and stress models for conversion: EN/IEC 61709 Failure Rates of Components – Expected values: SN 29500
Failure rate at +45 °C	5 fit
Failure rate at +45 °C	216966809 h 1 fit equals one failure per 10 ⁹ component hours The indicated temperature is the mean component ambient temperature.
Comments	The results are valid under following conditions: Automotive environment or industrial areas without extreme dust levels and harmful substances Continuous operation 8760 h per year

Dimensions



Circuit diagram

