



TERMOČLÁNKY TC50

Série TC50

TC50-14374632

Termočlánek Typ K 0-1260°C kontaktní blok L=1m silikon



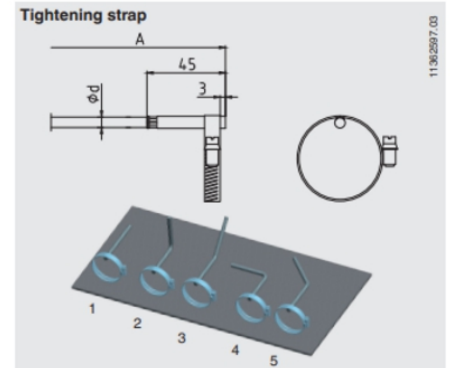
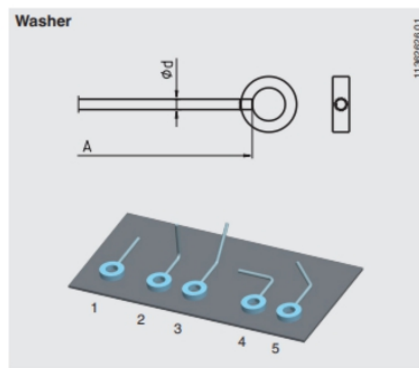
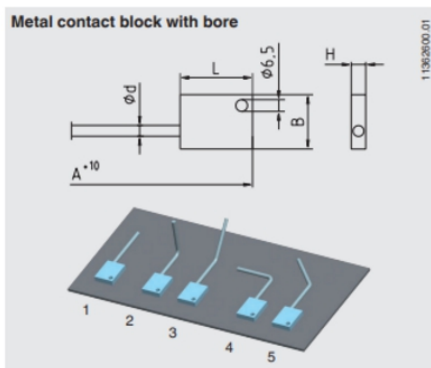
- Teplota -40°C až 1200°C
- K, J, E, N, T
- Kabel PVC, Silicon, PTFE, Skleněné vlákno
- ATEX, IECEx, GOST



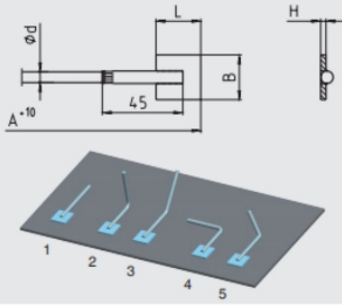
POPIS PRODUKTU

SPECIFIKACE

Délka kabelu	1000 mm
Materiál kabelu	Silikon
Materiál kontaktní části	Nerez ocel 316Ti
Provozní teplota max.	1260 °C
Provozní teplota min.	0 °C
Temperature resistance of cable from	-50 °C
Temperature resistance of cable to	200 °C
Třída krytí	IP65



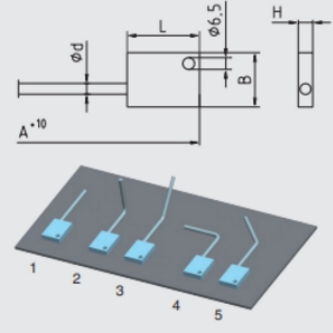
Weld-on sheet



11.362519.02

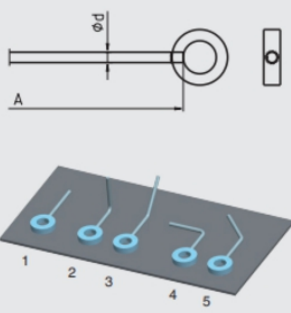
Process connection	Dimensions in mm	
	Width x length x height (B x L x H)	Outer diameter x inner diameter x thickness (AD x ID x d)
Metal contact block with bore $d = 6.5$ mm	30 x 40 x 6	-
Washer	-	36.1 x 19.1 x 9.5
Weld-on sheet	25 x 25 x 3.0	-
Tightening strap	-	11 - 15 13 - 25 23 - 62 60 - 93 91 - 125 123 - 158

Metal contact block with bore



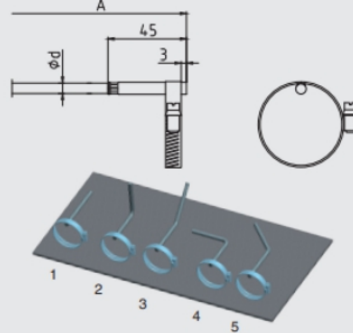
11.362610.01

Washer



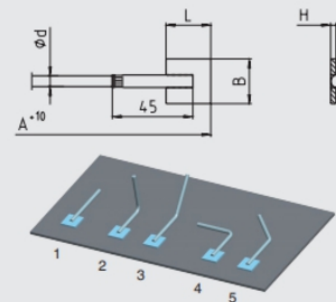
11.362620.01

Tightening strap



11.362597.03

Weld-on sheet



11.362518.02

Process connection	Dimensions in mm	
	Width x length x height (B x L x H)	Outer diameter x inner diameter x thickness (AD x ID x d)
Metal contact block with bore $d = 6.5$ mm	30 x 40 x 6	-
Washer	-	36.1 x 19.1 x 9.5
Weld-on sheet	25 x 25 x 3.0	-
Tightening strap	-	11 - 15 13 - 25 23 - 62 60 - 93 91 - 125 123 - 158