



SNÍMAČE TEPLOTY TC10-B

Série TC10-B

TC10B-14365198

Snimač teploty Typ K -40-1200°C 150x6mm G1/2"
NL=50mm

- Termočlánky K, J, E, N, T
- Teplota -40 až 1200°C
- Připojení M, NPT
- Média voda, plyny, oleje
- ATEX, IECEx, SIL2, DNV GL

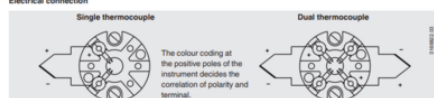


POPIS PRODUKTU

SPECIFIKACE

Insertion length	150 mm
Material Sensor Body	Nerez ocel 316Ti
Materiál těla	Hliník
Neck length	0,05 m
Plug diameter	6 mm
Provozní teplota max.	1200 °C
Provozní teplota min.	-40 °C
Teplota okolí do	80 °C
Teplota okolí od	-40 °C
Třída krytí	IP65

Electrical connection



Connection head

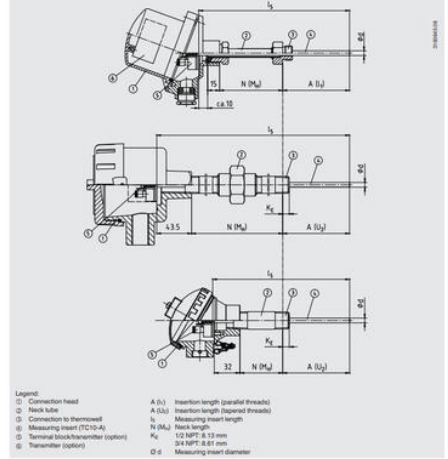
■ European designs per EN 50446 / DIN 43735



Model	Material	Cable entry thread size	Ingress protection (max.)	Cap	Surface	Connection to neck tube
BS	Aluminum	M20 x 1.5 or 1/4 NPT ¹⁾	IP65, IP68	Flat cap with 2 screws	Blk. lacquered ²⁾	M24 x 1.5, 1/4 NPT
BSZ	Aluminum	M20 x 1.5 or 1/4 NPT ¹⁾	IP65, IP68	Spherical fringed cover with cylinder head screw	Blk. lacquered ²⁾	M24 x 1.5, 1/4 NPT
BSZ-H	Aluminum	M20 x 1.5 or 1/4 NPT ¹⁾	IP65, IP68	Raised fringed cover with cylinder head screw	Blk. lacquered ²⁾	M24 x 1.5, 1/4 NPT
BSZ-H (2x cable outlet)	Aluminum	2 x M20 x 1.5 or 2 x 1/4 NPT ¹⁾	IP65, IP68	Raised fringed cover with cylinder head screw	Blk. lacquered ²⁾	M24 x 1.5
BSZ-H / DIN19 ³⁾	Aluminum	M20 x 1.5 or 1/4 NPT ¹⁾	IP65	Raised fringed cover with cylinder head screw	Blk. lacquered ²⁾	M24 x 1.5, 1/4 NPT
BSS	Aluminum	M20 x 1.5 or 1/4 NPT ¹⁾	IP65	Spherical fringed cover with clamping lever	Blk. lacquered ²⁾	M24 x 1.5, 1/4 NPT
BSS-H	Aluminum	M20 x 1.5 or 1/4 NPT ¹⁾	IP65	Raised fringed cover with clamping lever	Blk. lacquered ²⁾	M24 x 1.5, 1/4 NPT
BVS	Stainless steel	M20 x 1.5 ³⁾	IP65	Phyconical cast screw-on lid	Blk., electropolished	M24 x 1.5
BSZ-K	Plastic	M20 x 1.5 or 1/4 NPT ¹⁾	IP65	Spherical fringed cover with cylinder head screw	Black	M24 x 1.5
BSZ-HK	Plastic	M20 x 1.5 or 1/4 NPT ¹⁾	IP65	Raised fringed cover with cylinder head screw	Black	M24 x 1.5

Model	Explosion protection				
	Without	Ex I (gas) Zone 0, 1, 2	Ex II (dust) Zone 20, 21, 22	Ex nA (gas) Zone 2	Ex tc (dust) Zone 22
BS	x	x	-	-	-
BSZ	x	x	x	x	x
BSZ-H	x	x	x	x	x
BSZ-H (2x cable outlet)	x	x	x	x	x
BSZ-H / DIN19 ³⁾	x	x	-	-	-
BSS	x	x	-	-	-
BSS-H	x	x	-	-	-
BVS	x	x	-	-	-
BSZ-K	x	x	-	-	-
BSZ-HK	x	x	-	-	-

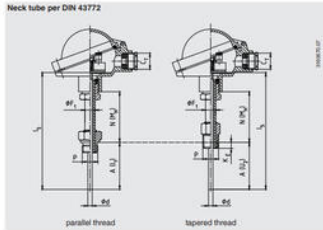
Fig. with parallel thread, for tapered thread see "Connection to thermowell"



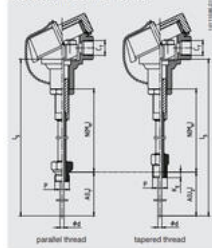
- Legend:
- 1) Connection head
 - 2) Neck tube
 - 3) Connection to thermowell
 - 4) Measuring insert (TC10-A)
 - 5) Terminal block/transmitter (option)
 - 6) Transmitter (option)
 - A (L1) Insertion length (parallel threads)
 - A (L2) Insertion length (tapered threads)
 - N (L3) Measuring insert length
 - N (L4) Neck length
 - Kc 1/2 NPT: 8.23 mm
 - 2x NPT: 8.61 mm
 - D d Measuring insert diameter

Neck tube designs

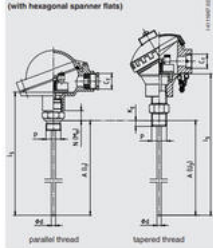
Neck tube per DIN 43772



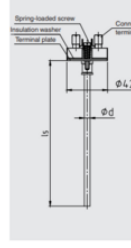
Neck tube, with counter nut to head



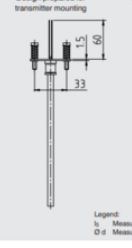
Double threaded hex bushing (with hexagonal spanner flats)



Spring loaded screw



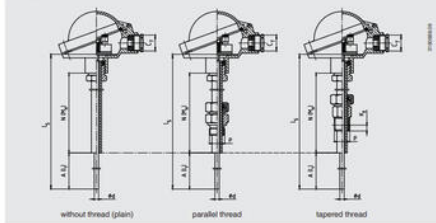
Design prepared for transmitter mounting



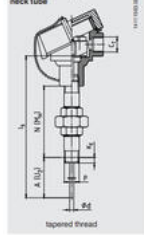
Design with mounted transmitter



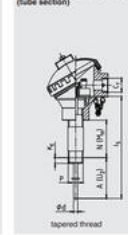
Neck tube per DIN 43772, straight, with/without compression fitting



"Nipple-union-ripple" neck tube



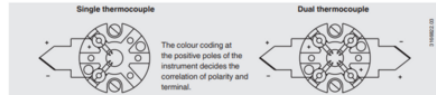
Double threaded hex bushing (tube section)



Without neck tube

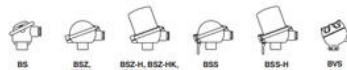


Electrical connection



Connection head

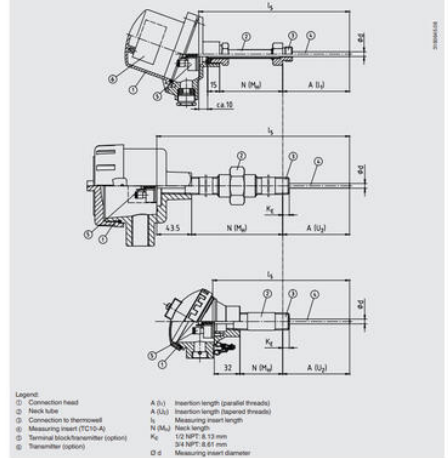
■ European designs per EN 50446 / DIN 43735



Model	Material	Cable entry thread size	Ingress protection (max.)	Cap	Surface	Connection to neck tube
BS	Aluminum	M20 x 1.5 or 1/4 NPT ¹⁾	IP65, IP68	Flat cap with 2 screws	Blk. lacquered ²⁾	M24 x 1.5, 1/4 NPT
BSZ	Aluminum	M20 x 1.5 or 1/4 NPT ¹⁾	IP65, IP68	Spherical fringed cover with cylinder head screw	Blk. lacquered ²⁾	M24 x 1.5, 1/4 NPT
BSZ-H	Aluminum	M20 x 1.5 or 1/4 NPT ¹⁾	IP65, IP68	Raised fringed cover with cylinder head screw	Blk. lacquered ²⁾	M24 x 1.5, 1/4 NPT
BSZ-H (2x cable outlet)	Aluminum	2 x M20 x 1.5 or 2 x 1/4 NPT ¹⁾	IP65, IP68	Raised fringed cover with cylinder head screw	Blk. lacquered ²⁾	M24 x 1.5
BSZ-H / DIN19 ³⁾	Aluminum	M20 x 1.5 or 1/4 NPT ¹⁾	IP65	Raised fringed cover with cylinder head screw	Blk. lacquered ²⁾	M24 x 1.5, 1/4 NPT
BSS	Aluminum	M20 x 1.5 or 1/4 NPT ¹⁾	IP65	Spherical fringed cover with clamping lever	Blk. lacquered ²⁾	M24 x 1.5, 1/4 NPT
BSS-H	Aluminum	M20 x 1.5 or 1/4 NPT ¹⁾	IP65	Raised fringed cover with clamping lever	Blk. lacquered ²⁾	M24 x 1.5, 1/4 NPT
BVS	Stainless steel	M20 x 1.5 ³⁾	IP65	Phyconical cast screw-on lid	Blk., electropolished	M24 x 1.5
BSZ-K	Plastic	M20 x 1.5 or 1/4 NPT ¹⁾	IP65	Spherical fringed cover with cylinder head screw	Black	M24 x 1.5
BSZ-HK	Plastic	M20 x 1.5 or 1/4 NPT ¹⁾	IP65	Raised fringed cover with cylinder head screw	Black	M24 x 1.5

Model	Explosion protection				
	Without	Ex I (gas) Zone 0, 1, 2	Ex II (dust) Zone 20, 21, 22	Ex nA (gas) Zone 2	Ex tc (dust) Zone 22
BS	x	x	-	-	-
BSZ	x	x	x	x	x
BSZ-H	x	x	x	x	x
BSZ-H (2x cable outlet)	x	x	x	x	x
BSZ-H / DIN19 ³⁾	x	x	-	-	-
BSS	x	x	-	-	-
BSS-H	x	x	-	-	-
BVS	x	x	-	-	-
BSZ-K	x	x	-	-	-
BSZ-HK	x	x	-	-	-

Fig. with parallel thread, for tapered thread see "Connection to thermowell"



- Legend:
- 1) Connection head
 - 2) Neck tube
 - 3) Connection to thermowell
 - 4) Measuring insert (TC10-A)
 - 5) Terminal block/transmitter (option)
 - 6) Transmitter (option)
 - A (L1) Insertion length (parallel threads)
 - A (L2) Insertion length (tapered threads)
 - N (L3) Measuring insert length
 - N (L4) Neck length
 - Kc 1/2 NPT: 8.23 mm
 - 2x NPT: 8.61 mm
 - D d Measuring insert diameter

