



JÍMKY TW10-F/B/S

Série TW10-F/B/S

TW10F-14364050

Jímka ASME 2" 300lbs 250x8,5mm G1/2" 316Ti

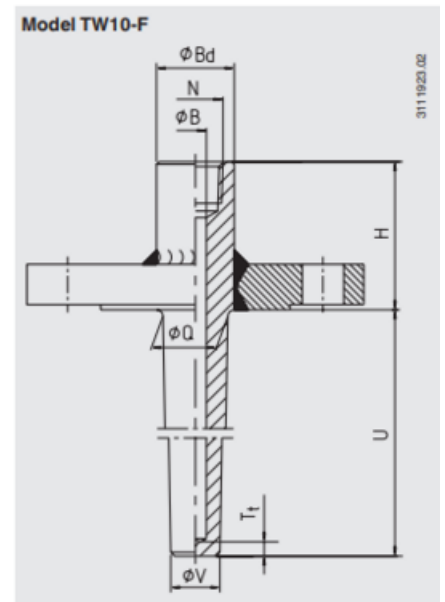
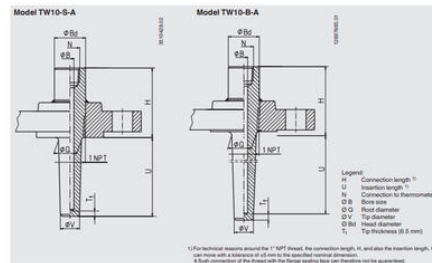
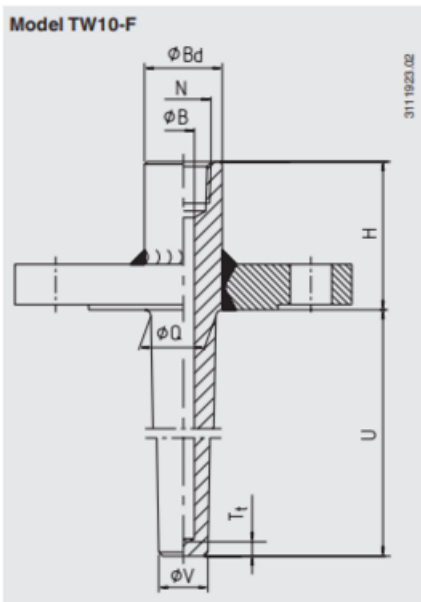


- Materiál nerez
- Připojení NPT, příruba, navařovací

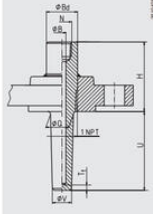
POPIS PRODUKTU

SPECIFIKACE

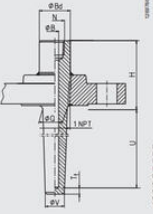
Délka	300 mm
Insertion length	250 mm
Inside diameter	8,5 mm
Materiál	Nerez ocel 316Ti
Plug diameter	25 mm



Model TW10-S-A



Model TW10-B-A



- Legend:
- H¹⁾ Connection length
 - U¹⁾ Insertion length
 - N¹⁾ Connection to thermometer
 - EB Barrel size
 - D Ø Rod diameter
 - D U Tip diameter
 - D H Head diameter
 - T₁ Tip thickness (0.5 mm)

¹⁾ For technical reasons around the 1" NPT thread, the connection length, H, and also the insertion length, U, can vary with a tolerance of ±0.5 mm to the applied nominal dimension.
 A flush connection of the head with the target body can therefore not be guaranteed.