



## TERMOMETRY 70

Série 70

H70-14351252

Termometr Ø100 0-100°C 100x6mm L=3m slát

- Expanzní
- Teplota -60°C až 400°C
- Ø63, Ø100, Ø160 mm
- Připojení G, M, NPT



### POPIS PRODUKTU

## SPECIFIKACE

Capillary diameter	2 mm
Capillary length	3000 mm
Insertion length	100 mm
Material Capillary	Nerez ocel 316Ti
Materiál kontaktní části	Nerez ocel
Materiál průhledu	Laminované bezpečnostní sklo
Materiál těla	Nerez ocel
Plug diameter	6 mm
Provozní teplota max.	100 °C
Provozní teplota min.	0 °C
Průměr	100 mm
Teplota okolí do	40 °C
Teplota okolí od	0 °C
Tlaková odolnost	25 bar
Třída krytí	IP65

**Model M70, surface mounting bracket**

**Model H70, surface mounting flange**

l = Insertion length

NS	Dimensions in mm											Weight					
	b <sub>1</sub>	r <sub>1</sub>	b	b <sub>2</sub>	O d	O d <sub>1</sub>	O d <sub>2</sub>	O d <sub>3</sub>	e <sub>1</sub>	O D <sub>1</sub>	O D <sub>2</sub>	O D <sub>3</sub>	Weight				
63	10.5	13	65	56	32.5	32.5	34.5	8	75	85	3.6	14	2	62	63.5	92	0.4
100	15.5	22	65	56	49.5	49.5	50.0	8	116	132	4.8	18	7	60	101.0	99	0.9
160	15.5	22	65	56	49.5	-	50.0	8	178	196	6.0	18	7	60	101.0	159	1.40

**Model V70, panel mounting flange**

l = Insertion length

NS	Dimensions in mm								Weight
	b <sub>1</sub>	O d	O d <sub>1</sub>	O d <sub>2</sub>	O d <sub>3</sub>	e <sub>1</sub>	O D <sub>1</sub>	O D <sub>2</sub>	Weight
63	32.5	8	75	85	3.6	5	63.5	62	0.4
100	49.5	8	116	132	4.8	8	101.0	99	0.9
160	-	8	178	196	6.0	8	161.0	159	1.40

**Model B70, triangular bezel with bracket**

l = Insertion length

NS	Dimensions in mm					Weight	
	A	b	O d	O d <sub>1</sub>	O d <sub>2</sub>	Weight	
63	87	33.5	8	4	63.5	62	0.4

**Model R70, lower mount**

l = Insertion length

NS	Dimensions in mm							Weight	
	a	b	O d	O d <sub>1</sub>	e	h	O D	O D <sub>1</sub>	Weight
63	10.5	32.5	8	14	12.2	49.0	63.5	62	0.4
100	15.5	49.5	8	18	16.8	68.5	101.0	99	0.9

**Model S70, case swivelling approx. 90°**

l = Insertion length

NS	Dimensions in mm							Weight
	a <sub>1</sub>	b <sub>1</sub>	O d	f	O D <sub>1</sub>	O D <sub>2</sub>	F	Weight
63	83	32.5	8	0	63.5	62	68	0.4
100	93	49.5	8	30	101.0	99	68	0.9

**Model A70, back mount (NS 63)**

l = Insertion length

NS	Dimensions in mm						Weight
	b <sub>1</sub>	b <sub>2</sub>	O d	O d <sub>1</sub>	O D <sub>1</sub>	O D <sub>2</sub>	Weight
63	32.5	54.0	8	14	63.5	62	0.4

**Model A70, back mount (NS 100)**

l = Insertion length

NS	Dimensions in mm							Weight
	b <sub>1</sub>	b <sub>2</sub>	O d	f	O D <sub>1</sub>	O D <sub>2</sub>	Weight	
100	49.5	63.5	8	18	30	101.0	99	0.9

**Model M70, surface mounting bracket**

l = Insertion length

**Model H70, surface mounting flange**

l = Insertion length

NS	Dimensions in mm											Weight					
	b <sub>1</sub>	r <sub>1</sub>	b	b <sub>2</sub>	O d	O d <sub>1</sub>	O d <sub>2</sub>	O d <sub>3</sub>	e <sub>1</sub>	O D <sub>1</sub>	O D <sub>2</sub>	O D <sub>3</sub>	Weight				
63	10.5	13	65	56	32.5	32.5	34.5	8	75	85	3.6	14	2	62	63.5	92	0.4
100	15.5	22	65	56	49.5	49.5	50.0	8	116	132	4.8	18	7	60	101.0	99	0.9
160	15.5	22	65	56	49.5	-	50.0	8	178	196	6.0	18	7	60	101.0	159	1.40

**Model V70, panel mounting flange**

l = Insertion length

NS	Dimensions in mm								Weight
	b <sub>1</sub>	O d	O d <sub>1</sub>	O d <sub>2</sub>	O d <sub>3</sub>	e <sub>1</sub>	O D <sub>1</sub>	O D <sub>2</sub>	Weight
63	32.5	8	75	85	3.6	5	63.5	62	0.4
100	49.5	8	116	132	4.8	8	101.0	99	0.9
160	-	8	178	196	6.0	8	161.0	159	1.40

**Model B70, triangular bezel with bracket**

l = Insertion length

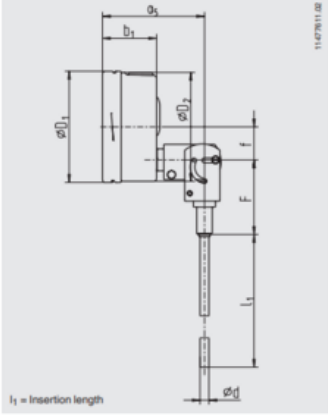
NS	Dimensions in mm					Weight	
	A	b	O d	O d <sub>1</sub>	O d <sub>2</sub>	Weight	
63	87	33.5	8	4	63.5	62	0.4

**Model R70, lower mount**

l = Insertion length

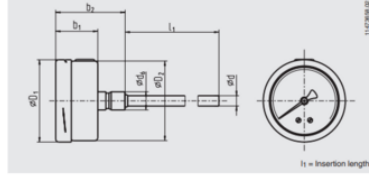
NS	Dimensions in mm							Weight	
	a	b	O d	O d <sub>1</sub>	e	h	O D	O D <sub>1</sub>	Weight
63	10.5	32.5	8	14	12.2	49.0	63.5	62	0.4
100	15.5	49.5	8	18	16.8	68.5	101.0	99	0.9

Model S70, case swivelling approx. 90 °



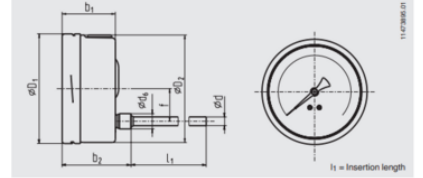
NS	Dimensions in mm							Weight in kg
	a <sub>2</sub>	b <sub>1</sub>	d	d <sub>1</sub>	d <sub>2</sub>	F		
63	83	32.5	8	0	63.5	62	68	0.4
100	93	49.5	8	30	101.0	99	68	0.9

Model A70, back mount (NS 63)



NS	Dimensions in mm							Weight in kg
	b <sub>1</sub>	b <sub>2</sub>	d	d <sub>1</sub>	d <sub>2</sub>	d <sub>3</sub>	I <sub>1</sub>	
63	32.5	54.0	8	14	63.5	62	0.4	

Model A70, back mount (NS 100)



NS	Dimensions in mm							Weight in kg
	b <sub>1</sub>	b <sub>2</sub>	d	d <sub>1</sub>	d <sub>2</sub>	d <sub>3</sub>	I <sub>1</sub>	
100	49.5	63.5	8	18	30	101.0	99	0.9