



TERMOMETRY R73

Série R73

R73-14349884

Termometr Ø100 -80-60°C 100x10mm G1/2



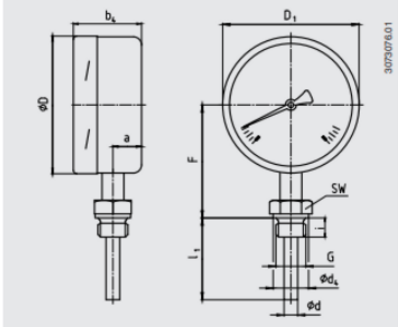
- Plynové
- Teplota -200°C až 700°C
- Ø100, Ø160 mm
- Připojení G, M, NPT
- ATEX, GOST, EAC

POPIS PRODUKTU

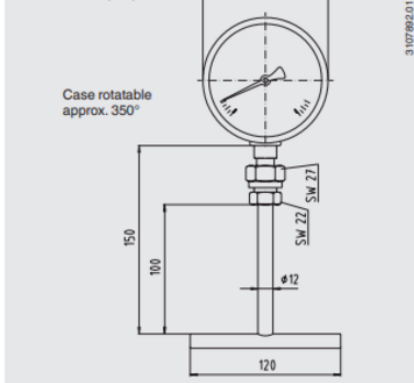
SPECIFIKACE

Insertion length	100 mm
Materiál kontaktní části	Nerez ocel 316
Materiál průhledu	Laminované bezpečnostní sklo
Materiál těla	Nezestavovaná ocel 1,4301
Plug diameter	10 mm
Pozice připojení	Spodní
Provozní teplota max.	60 °C
Provozní teplota min.	-80 °C
Průměr	100 mm
Teplota okolí do	60 °C
Teplota okolí od	-40 °C
Tlaková odolnost	25 bar
Třída krytí	IP65

Model R73, lower mount



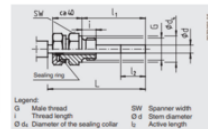
**Model R73, with contact bulb
Lower mount (LM)**



Design 4, compression fitting (sliding on stem)

Insertion length $l_1 =$ variable
Length $L = l_1 + 40$ mm

Nominal size	Process connection	Dimensions in mm			
		C	L	SW	D ₁ / D ₂
100, 160	G 1/2 B	14	27	26	8
	G 3/4 B	16	32	32	8
	M18 x 1.5	12	24	23	8
	1/2 NPT	18	32	-	8
	1/2 NPT	20	30	-	8

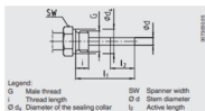


Standard design (male threaded connection) ¹⁾

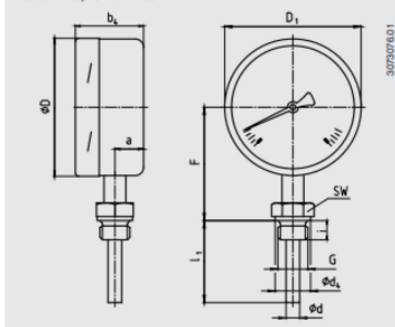
Standard insertion length $l_1 = 63, 100, 160, 200, 250$ mm

Nominal size	Process connection	Dimensions in mm			
		C	L	SW	D ₁ / D ₂
100, 160	G 1/2 B	14	27	26	8
	G 3/4 B	16	32	32	8
	M18 x 1.5	12	24	23	8
	1/2 NPT	18	32	-	8
	1/2 NPT	20	30	-	8

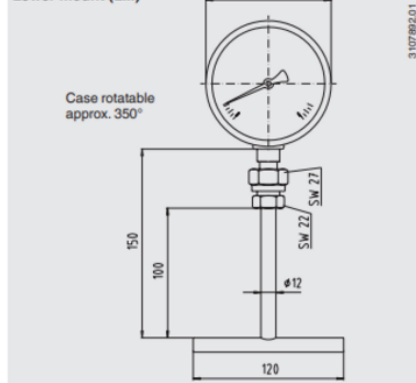
¹⁾ Not for version with capillary (PT) line



Model R73, lower mount



**Model R73, with contact bulb
Lower mount (LM)**

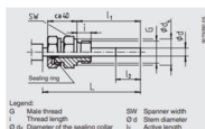


Design 4, compression fitting (sliding on stem)

Insertion length $l_1 =$ variable
Length $L = l_1 + 40$ mm

Nominal size	Process connection	Dimensions in mm			
		C	L	SW	D ₁ / D ₂
100, 160	G 1/2 B	14	27	26	8
	G 3/4 B	16	32	32	8
	M18 x 1.5	12	24	23	8
	1/2 NPT	18	32	-	8
	1/2 NPT	20	30	-	8

¹⁾ Not for version with capillary (PT) line



Standard design (male threaded connection) ¹⁾

Standard insertion length $l_1 = 63, 100, 160, 200, 250$ mm

Nominal size	Process connection	Dimensions in mm			
		C	L	SW	D ₁ / D ₂
100, 160	G 1/2 B	14	27	26	8
	G 3/4 B	16	32	32	8
	M18 x 1.5	12	24	23	8
	1/2 NPT	18	32	-	8
	1/2 NPT	20	30	-	8

¹⁾ Not for version with capillary (PT) line

