



SNÍMAČE TEPLOTY TC10-H

Série TC10-H

TC10H-14341557

Snimač teploty Typ K 0-1260°C 250x6mm BSZ bez závitů



- Termočlánky K, J, E, N, T
- Teplota -40 až 1200°C
- Připojení M, NPT
- Média voda, plyny, oleje
- ATEX, IECEx

POPIS PRODUKTU

SPECIFIKACE

Insertion length	250 mm
Materiál kontaktní části	Nerez ocel 316Ti
Material Sensor Body	Nerez ocel 316Ti
Materiál těla	Hliník
Plug diameter	6 mm
Provozní teplota max.	1260 °C
Provozní teplota min.	0 °C
Teplota okolí do	80 °C
Teplota okolí od	-40 °C
Třída krytí	IP65

Connection head

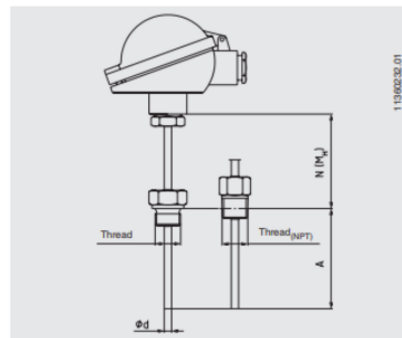
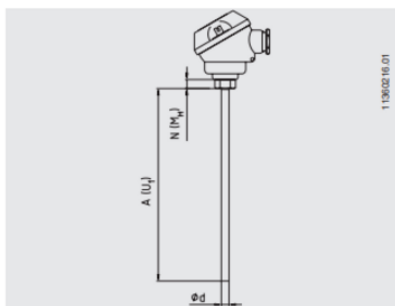
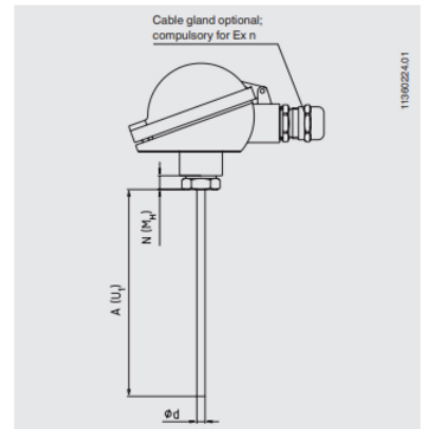
Model	Material	Cable entry thread size	Ingress protection (max.) ¹⁾	Cap	Surface	Connection to neck tube
JS	Aluminum	M18 x 1.5 ¹⁾	IP65	Cover with 2 screws	Blue, lacquered ²⁾	M24 x 1.5, 1/2 NPT
BS	Aluminum	M20 x 1.5 or 1/2 NPT ¹⁾	IP65, IP68	Flat cap with 2 screws	Blue, lacquered ²⁾	M24 x 1.5, 1/2 NPT
BSZ	Aluminum	M20 x 1.5 or 1/2 NPT ¹⁾	IP65, IP68	Spherical hinged cover with cylinder head screw	Blue, lacquered ²⁾	M24 x 1.5, 1/2 NPT
BSZ-H	Aluminum	M20 x 1.5 or 1/2 NPT ¹⁾	IP65, IP68	Raised hinged cover with cylinder head screw	Blue, lacquered ²⁾	M24 x 1.5, 1/2 NPT
BSZ-H (2x cable outlet)	Aluminum	2 x M20 x 1.5 or 2 x 1/2 NPT ¹⁾	IP65, IP68	Raised hinged cover with cylinder head screw	Blue, lacquered ²⁾	M24 x 1.5
BSZ-H / DH10 ³⁾	Aluminum	M20 x 1.5 or 1/2 NPT ¹⁾	IP65	Raised hinged cover with cylinder head screw	Blue, lacquered ²⁾	M24 x 1.5, 1/2 NPT
BSS	Aluminum	M20 x 1.5 or 1/2 NPT ¹⁾	IP65	Spherical hinged cover with clamping lever	Blue, lacquered ²⁾	M24 x 1.5, 1/2 NPT
BSS-H	Aluminum	M20 x 1.5 or 1/2 NPT ¹⁾	IP65	Raised hinged cover with clamping lever	Blue, lacquered ²⁾	M24 x 1.5, 1/2 NPT
BVS	Stainless steel	M20 x 1.5 ¹⁾	IP65	Precision-cast screw-on lid	Black, electropolished	M24 x 1.5
BSZ-K	Plastic	M20 x 1.5 or 1/2 NPT ¹⁾	IP65	Spherical hinged cover with cylinder head screw	Black	M24 x 1.5
BSZ-HK	Plastic	M20 x 1.5 or 1/2 NPT ¹⁾	IP65	Raised hinged cover with cylinder head screw	Black	M24 x 1.5

Model	Explosion protection				
	Without	Ex I (gas) Zone 1, 2	Ex I (dust) Zone 20, 21, 22	Ex II (gas) Zone 2	Ex II (dust) Zone 22
JS	x	x	-	-	-
BS	x	x	-	-	-
BSZ	x	x	x	x	x
BSZ-H	x	x	x	x	x
BSZ-H (2x cable outlet)	x	x	x	x	x
BSZ-H / DH10 ³⁾	x	x	-	-	-
BSS	x	x	-	-	-
BSS-H	x	x	-	-	-
BVS	x	x	-	-	-
BSZ-K	x	x	-	-	-
BSZ-HK	x	x	-	-	-

Electrical connection



For the electrical connections of built-in temperature transmitters see the corresponding data sheets or operating instructions.

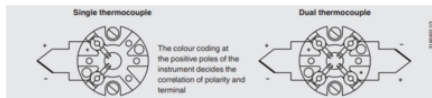


Connection head

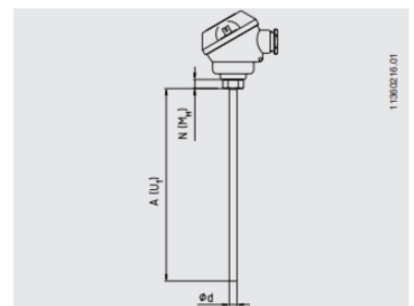
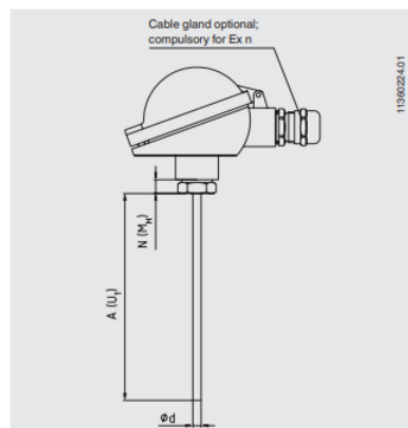
Model	Material	Cable entry thread size	Ingress protection (max.) ¹⁾	Cap	Surface	Connection to neck tube
JS	Aluminum	M18 x 1.5 ¹⁾	IP65	Cover with 2 screws	Blue, lacquered ²⁾	M24 x 1.5, 1/2 NPT
BS	Aluminum	M20 x 1.5 or 1/2 NPT ¹⁾	IP65, IP68	Flat cap with 2 screws	Blue, lacquered ²⁾	M24 x 1.5, 1/2 NPT
BSZ	Aluminum	M20 x 1.5 or 1/2 NPT ¹⁾	IP65, IP68	Spherical hinged cover with cylinder head screw	Blue, lacquered ²⁾	M24 x 1.5, 1/2 NPT
BSZ-H	Aluminum	M20 x 1.5 or 1/2 NPT ¹⁾	IP65, IP68	Raised hinged cover with cylinder head screw	Blue, lacquered ²⁾	M24 x 1.5, 1/2 NPT
BSZ-H (2x cable outlet)	Aluminum	2 x M20 x 1.5 or 2 x 1/2 NPT ¹⁾	IP65, IP68	Raised hinged cover with cylinder head screw	Blue, lacquered ²⁾	M24 x 1.5
BSZ-H / DH10 ³⁾	Aluminum	M20 x 1.5 or 1/2 NPT ¹⁾	IP65	Raised hinged cover with cylinder head screw	Blue, lacquered ²⁾	M24 x 1.5, 1/2 NPT
BSS	Aluminum	M20 x 1.5 or 1/2 NPT ¹⁾	IP65	Spherical hinged cover with clamping lever	Blue, lacquered ²⁾	M24 x 1.5, 1/2 NPT
BSS-H	Aluminum	M20 x 1.5 or 1/2 NPT ¹⁾	IP65	Raised hinged cover with clamping lever	Blue, lacquered ²⁾	M24 x 1.5, 1/2 NPT
BVS	Stainless steel	M20 x 1.5 ¹⁾	IP65	Precision-cast screw-on lid	Black, electropolished	M24 x 1.5
BSZ-K	Plastic	M20 x 1.5 or 1/2 NPT ¹⁾	IP65	Spherical hinged cover with cylinder head screw	Black	M24 x 1.5
BSZ-HK	Plastic	M20 x 1.5 or 1/2 NPT ¹⁾	IP65	Raised hinged cover with cylinder head screw	Black	M24 x 1.5

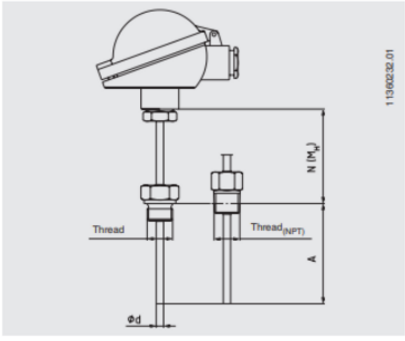
Model	Explosion protection				
	Without	Ex I (gas) Zone 1, 2	Ex I (dust) Zone 20, 21, 22	Ex II (gas) Zone 2	Ex II (dust) Zone 22
JS	x	x	-	-	-
BS	x	x	-	-	-
BSZ	x	x	x	x	x
BSZ-H	x	x	x	x	x
BSZ-H (2x cable outlet)	x	x	x	x	x
BSZ-H / DH10 ³⁾	x	x	-	-	-
BSS	x	x	-	-	-
BSS-H	x	x	-	-	-
BVS	x	x	-	-	-
BSZ-K	x	x	-	-	-
BSZ-HK	x	x	-	-	-

Electrical connection



For the electrical connections of built-in temperature transmitters see the corresponding data sheets or operating instructions.





113100232.01