



## TERMOMETRY F73

Série F73

F73-3904857

Termometr Ø100 0-60°C 90x13mm L=3m

- Plynové
- Teplota -200°C až 700°C
- Ø100, Ø160 mm
- Připojení kapilára
- ATEX, GOST, EAC

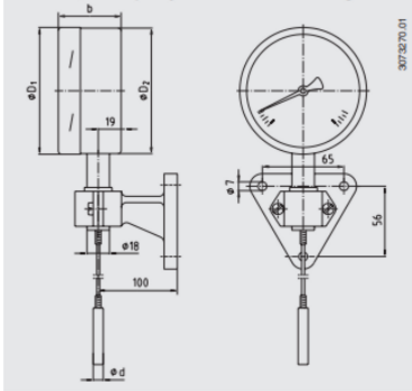


### POPIS PRODUKTU

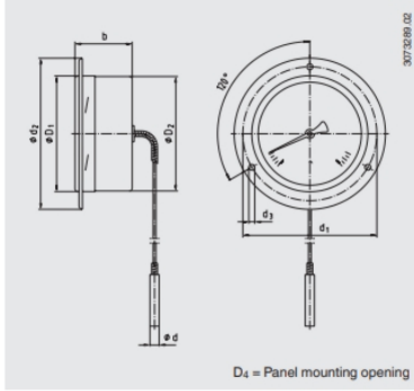
## SPECIFIKACE

Capillary diameter	2 mm
Capillary length	3000 mm
Insertion length	90 mm
Material Capillary	Nerez ocel 316Ti
Materiál kontaktní části	Nerez ocel 316
Materiál průhledu	Laminované bezpečnostní sklo
Materiál těla	Nezestavovaná ocel 1,4301
Plug diameter	13 mm
Provozní teplota max.	60 °C
Provozní teplota min.	0 °C
Průměr	100 mm
Teplota okolí do	60 °C
Teplota okolí od	-40 °C
Třída krytí	IP65

Model F73, with capillary and instrument mounting bracket

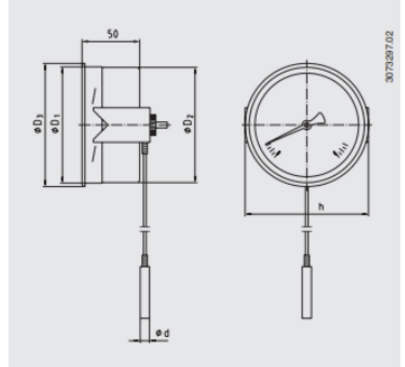


Model F73, with capillary and panel mounting flange

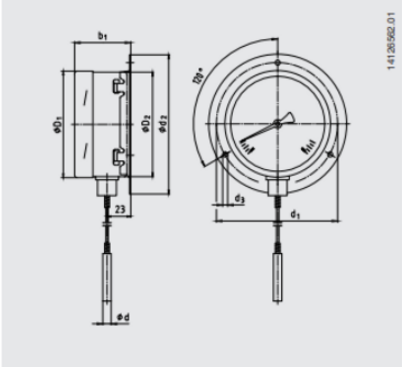


$D_4$  = Panel mounting opening

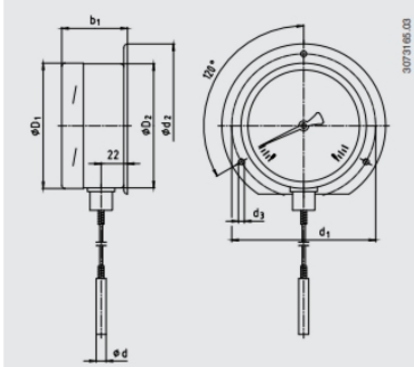
Model F73, with capillary and triangular bezel with clamp



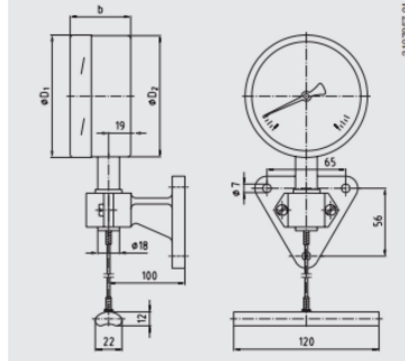
Model F73.100, with capillary and surface mounting flange



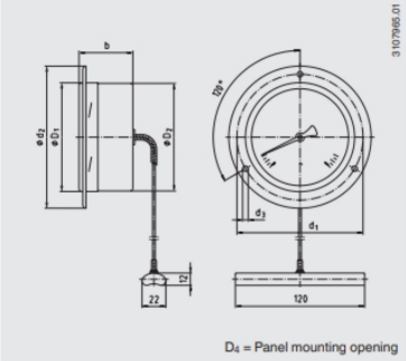
Model F73.160, with capillary and surface mounting flange



Model F73, with contact bulb  
Capillary and instrument mounting bracket

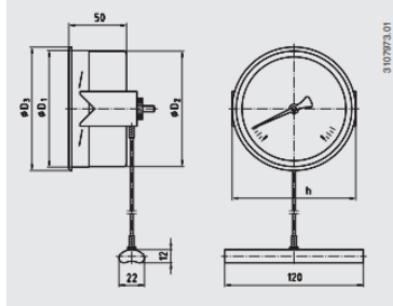


Model F73, with contact bulb  
Capillary and panel mounting flange

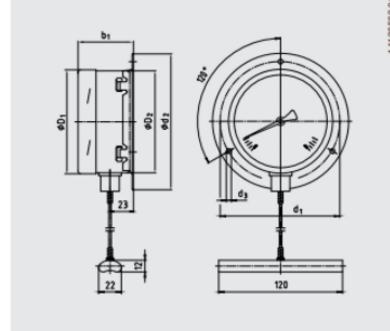


$D_4$  = Panel mounting opening

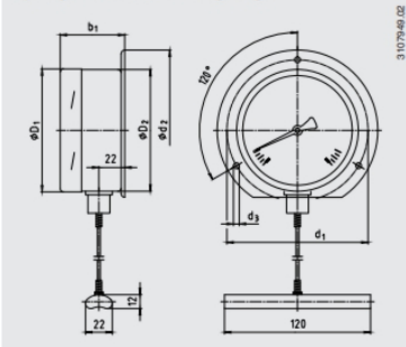
Model F73, with contact bulb  
Capillary and triangular bezel with clamp



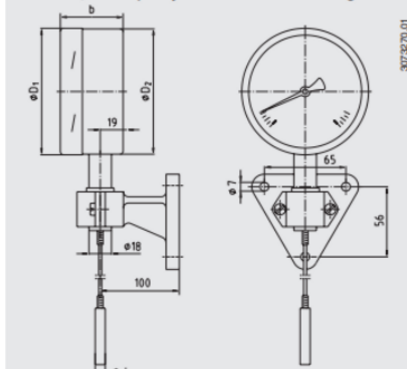
Model F73.100, with contact bulb  
Capillary and surface mounting flange



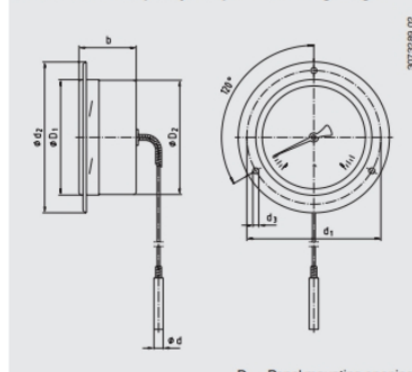
Model F73.160, with contact bulb  
Capillary and surface mounting flange



Model F73, with capillary and instrument mounting bracket

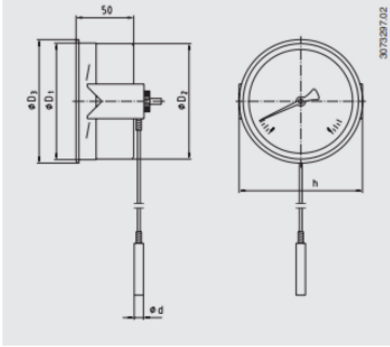


Model F73, with capillary and panel mounting flange

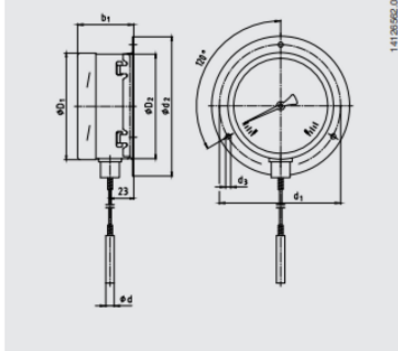


$D_4$  = Panel mounting opening

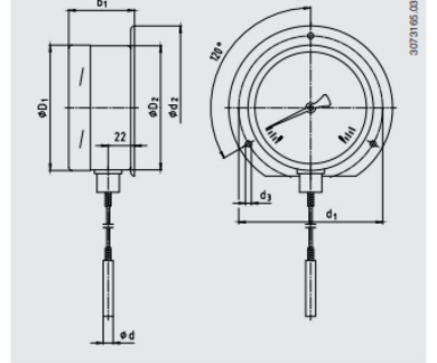
Model F73, with capillary and triangular bezel with clamp



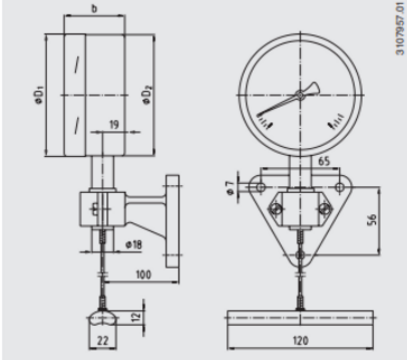
Model F73.100, with capillary and surface mounting flange



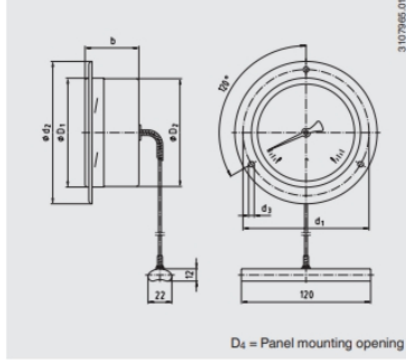
Model F73.160, with capillary and surface mounting flange



Model F73, with contact bulb  
Capillary and instrument mounting bracket

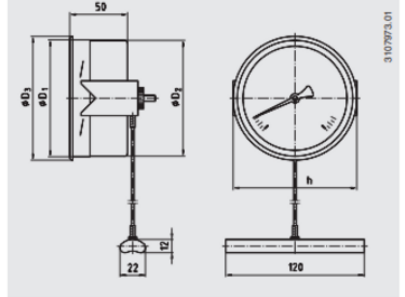


Model F73, with contact bulb  
Capillary and panel mounting flange

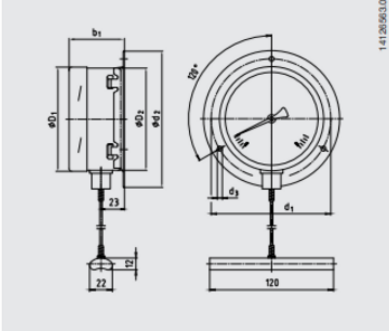


$D_4$  = Panel mounting opening

Model F73, with contact bulb  
Capillary and triangular bezel with clamp



Model F73.100, with contact bulb  
Capillary and surface mounting flange



Model F73.160, with contact bulb  
Capillary and surface mounting flange

