



SNÍMAČE TEPLOTY TSD-30

Série TSD-30

TSD30-45719444

Snímač teploty M12x1 4-pin -20-80°C 25mm PNP G1/2"



- Výstup IO-Link, 4-20mA, 0-10V, spínací
- Teplota -20 až 150°C
- Připojení G, NPT
- Média voda, plyny, oleje

POPIS PRODUKTU

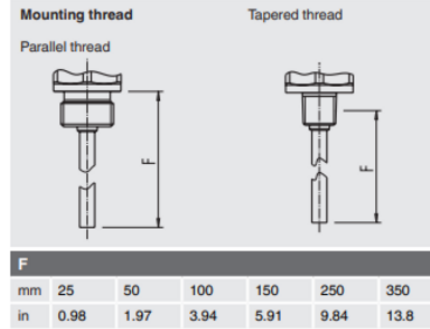
SPECIFIKACE

Elektrické připojení	M12x1
Insertion length	25 mm
Materiál kontaktní části	Nerez ocel
Materiál těla	Nerez ocel
Napájecí napětí DC max.	35 V DC
Napájecí napětí DC min.	15 V DC
Plug diameter	6 mm
Pozice připojení	Spodní
Procesní připojení	G1/2
Teplota média max.	80 °C
Teplota média min.	-20 °C
Teplota okolí do	80 °C
Teplota okolí od	-20 °C

Output signal

Selectable versions	Switching output		Analogue signal
	SP1	SP2	
Option 1	PNP	-	4 ... 20 mA (3-wire)
Option 2	PNP	-	DC 0 ... 10 V (3-wire)
Option 3	PNP	PNP	-
Option 4	PNP	PNP	4 ... 20 mA (3-wire)
Option 5	PNP	PNP	DC 0 ... 10 V (3-wire)

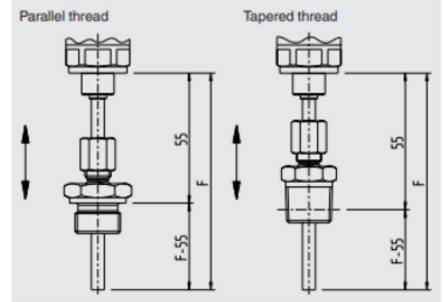
Probe length (F)



F

mm	25	50	100	150	250	350
in	0.98	1.97	3.94	5.91	9.84	13.8

Compression fitting



F

mm	100	150	250	350
in	3.94	5.91	9.84	13.8

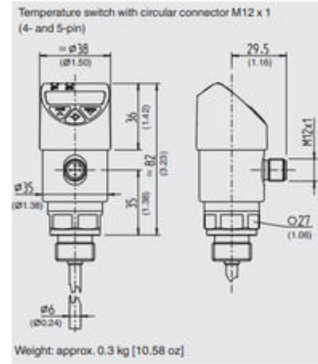
Circular connector M12 x 1 (4-pin)

	U+	1
	U-	3
	S+	2
	SP1 / C	4
	SP2	2

Circular connector M12 x 1 (5-pin)

	U+	1
	U-	3
	S+	5
	SP1 / C	4
	SP2	2

Dimensions in mm (inch)



	G1	L1	G1	L1
	G 1/4 A	12 [0.47]	1/4 NPT	13 [0.51]
	G 1/2 A	14 [0.55]	1/2 NPT	19 [0.75]

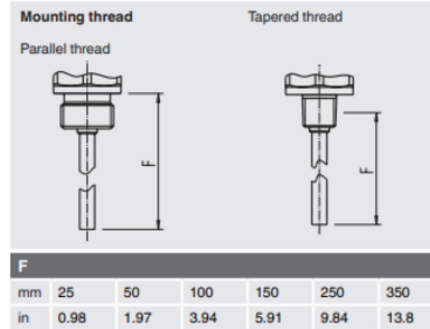
Compression fittings

	G1	L1	L2	SW	G1	L1	L2	SW
	G 1/4 A	40 [1.57]	52 [2.05]	19 [0.75]	1/4 NPT	41 [1.61]	55 [2.17]	17 [0.67]
	G 1/2 A	44 [1.73]	54 [2.13]	27 [1.06]	1/2 NPT	41 [1.61]	57 [2.24]	22 [0.87]

Output signal

Selectable versions	Switching output		Analogue signal
	SP1	SP2	
Option 1	PNP	-	4 ... 20 mA (3-wire)
Option 2	PNP	-	DC 0 ... 10 V (3-wire)
Option 3	PNP	PNP	-
Option 4	PNP	PNP	4 ... 20 mA (3-wire)
Option 5	PNP	PNP	DC 0 ... 10 V (3-wire)

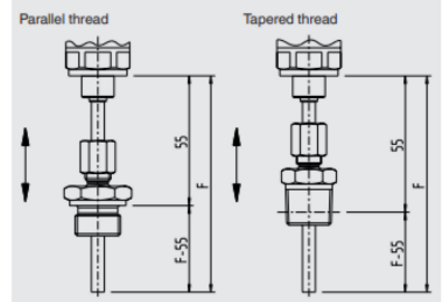
Probe length (F)



F

mm	25	50	100	150	250	350
in	0.98	1.97	3.94	5.91	9.84	13.8

Compression fitting



F

mm	100	150	250	350
in	3.94	5.91	9.84	13.8

Circular connector M12 x 1 (4-pin)



U+	1
U-	3
S+	2
SP1 / C	4
SP2	2

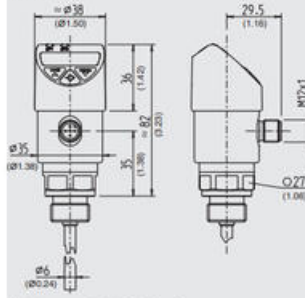
Circular connector M12 x 1 (5-pin)



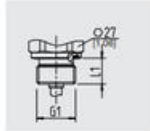
U+	1
U-	3
S+	5
SP1 / C	4
SP2	2

Dimensions in mm (inch)

Temperature switch with circular connector M12 x 1
(4- and 5-pin)



Weight: approx. 0.3 kg [10.58 oz.]

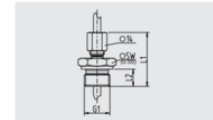


G1	L1
G 1/2 A	12 [0.47]
G 3/4 A	14 [0.55]

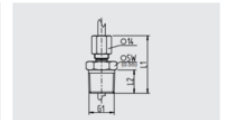


G1	L1
1/2 NPT	13 [0.51]
3/4 NPT	19 [0.75]

Compression fittings



G1	L1	L2	LW
G 1/2 A	40 [1.57]	12 [0.47]	19 [0.75]
G 3/4 A	44 [1.73]	14 [0.55]	27 [1.06]



G1	L1	L2	LW
1/2 NPT	41 [1.61]	13 [0.51]	17 [0.67]
3/4 NPT	41 [1.61]	19 [0.75]	22 [0.87]